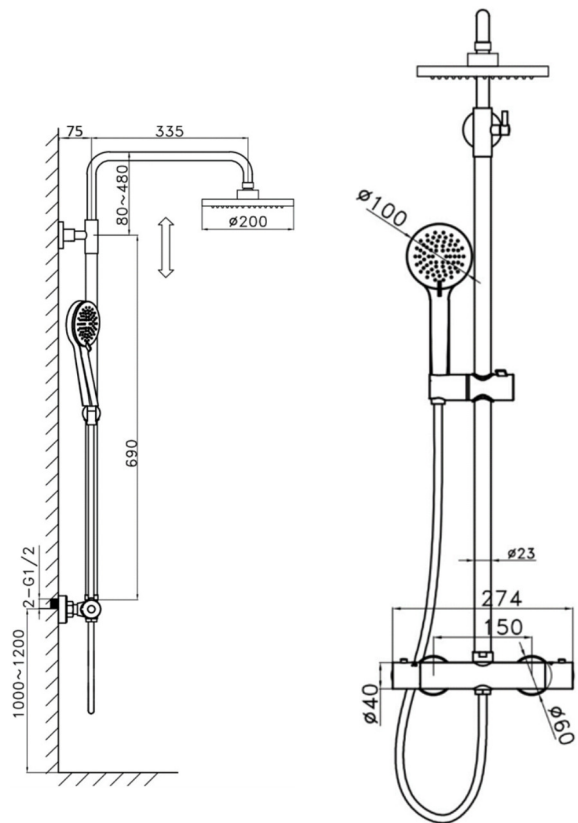


SAGITTARIUS

TAPS & SHOWERING

DREAM DELUXE EXPOSED VALVE AND RIGID RISER KIT SH/609/C

Construction	Brass Body (CuZn38Pb18); ABS handle
Finishes	Chrome plated to BS EN 248
Product Type	Contemporary
Water Pressure	Min. 0.5 bar, Max. 6.0 bar
Plumbing Systems	Suitable for all plumbing systems, preferably balanced. Min. supply pressure differential requirement is 5:1
Standards	Complies with BSEN 1111
Certification	Manufactured to comply with WRAS (Pending)
Cartridge	Thermostatic
Fitting	Escutcheon (S-unions)
Valve	Integrate diverter ceramic valve
Check valve	0.5-10 gpm
Packaging	84 x 44 x 42cm / carton (5 boxes / carton)
Guarantee	10 years against manufacturing faults (excluding serviceable parts).
Additional Information	<ol style="list-style-type: none"> 1. Temperature: Pre-set 38°C, with push button override to 48°C. 2. Automatic shut off in the event of hot or cold water supply failure. 3. Shower head : Chrome , Ø200mm, ABS 4. Shower handset : Chrome , 3 mode, ABS 5. Shower hose : Stainless steel , 1.5m 6. Riser Rail: Adjustable height riser rail.



System Pressure	0.1 Bar	0.2 Bar	0.3 Bar	0.5 Bar	1.0 Bar	1.5 Bar	2.0 Bar	3.0 Bar	4.0 Bar	5.0 Bar
SH/609/C	2.0	4.4	-	7.2	11.8	-	-	18.2	-	-

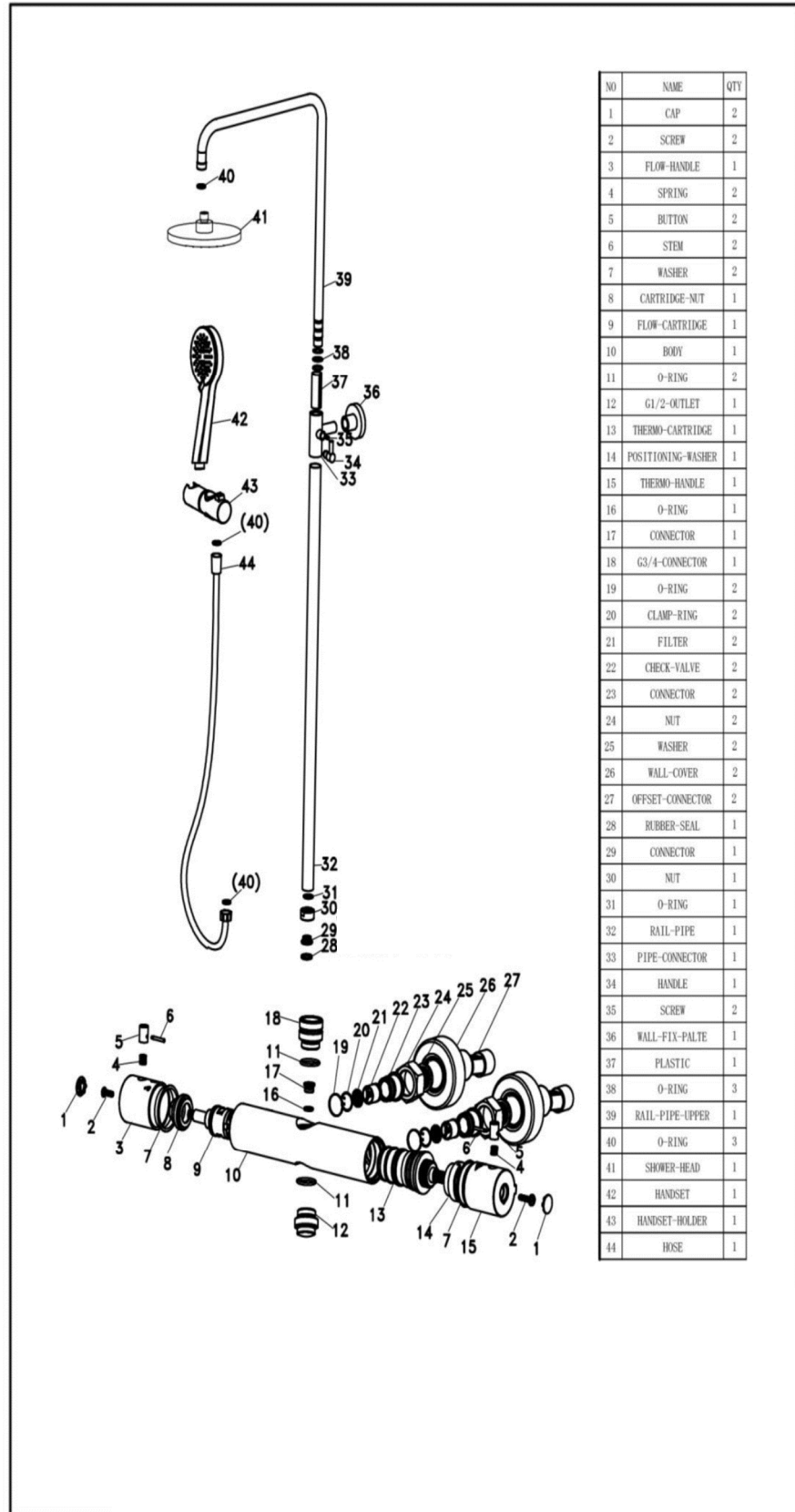
The information contained on this page was correct at the date of issue. Fitting dimensions are provided as a guide only. Some variation may occur due to manufacturing tolerances. We pursue a policy of continuing improvement in design and performance of our products and so reserve the right to change specifications without prior notice

FOR FURTHER ADVICE PLEASE CONTACT :-

SAGITTARIUS LTD UNIT 1 LOWER VICTORIA STREET—CHADDERTON—OLDHAM—OL9 9TU TEL:0616 6202029

EMAIL:TECHNICAL@SAGITTARIUSTAPS.CO.UK

SH/609/C EXPLOADED DRAWING



NO	NAME	QTY
1	CAP	2
2	SCREW	2
3	FLOW-HANDLE	1
4	SPRING	2
5	BUTTON	2
6	STEM	2
7	WASHER	2
8	CARTRIDGE-NUT	1
9	FLOW-CARTRIDGE	1
10	BODY	1
11	O-RING	2
12	G1/2-OUTLET	1
13	THERMO-CARTRIDGE	1
14	POSITIONING-WASHER	1
15	THERMO-HANDLE	1
16	O-RING	1
17	CONNECTOR	1
18	G3/4-CONNECTOR	1
19	O-RING	2
20	CLAMP-RING	2
21	FILTER	2
22	CHECK-VALVE	2
23	CONNECTOR	2
24	NUT	2
25	WASHER	2
26	WALL-COVER	2
27	OFFSET-CONNECTOR	2
28	RUBBER-SEAL	1
29	CONNECTOR	1
30	NUT	1
31	O-RING	1
32	RAIL-PIPE	1
33	PIPE-CONNECTOR	1
34	HANDLE	1
35	SCREW	2
36	WALL-FIX-PALTE	1
37	PLASTIC	1
38	O-RING	3
39	RAIL-PIPE-UPPER	1
40	O-RING	3
41	SHOWER-HEAD	1
42	HANDSET	1
43	HANDSET-HOLDER	1
44	HOSE	1

The information contained on this page was correct at the date of issue. Fitting dimensions are provided as a guide only. Some variation may occur due to manufacturing tolerances. We pursue a policy of continuing improvement in design and performance of our products and so reserve the right to change specifications without prior notice

FOR FURTHER ADVICE PLEASE CONTACT :-
 SAGITTARIUS LTD UNIT 1 LOWER VICTORIA STREET—CHADDERTON—OLDHAM—OL9 9TU TEL:0616 620209
 EMAIL:TECHNICAL@SAGITTARIUSTAPS.CO.UK