

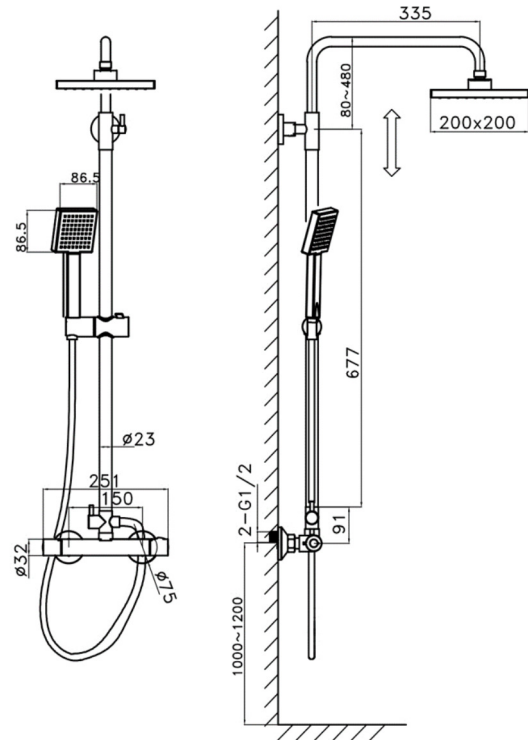
# SAGITTARIUS

## TAPS & SHOWERING

### TREVI EXPOSED VALVE AND RIGID RISER KIT

### SH/615/C

<b>Construction</b>	Brass Body (CuZn40Pb18)
<b>Finishes</b>	Chrome plated to BS EN 248
<b>Product Type</b>	Contemporary
<b>Water Pressure</b>	Min. 0.5 bar, Max. 6.0 bar
<b>Plumbing Systems</b>	Suitable for all plumbing systems, preferably balanced.Min. supply pressure
<b>Standards</b>	Complies with BSEN 1111
<b>Certification</b>	-
<b>Cartridge</b>	Thermostatic brass mixer valve; Check valve
<b>Check valve</b>	0.5-10 gpm
<b>Diverter</b>	Ceramic disc
<b>Fitting</b>	S-unions
<b>Packaging</b>	79 x 44 x 45cm / carton (5 boxes / carton)
<b>Guarantee</b>	10 years against manufacturing faults (excluding serviceable parts).
<b>Additional Information</b>	<ol style="list-style-type: none"> <li>1.Thermostatic cartridge maintains showering temperature to +/- 1°C by compensating for changes in the incoming water temperature and pressure giving the stable outlet.</li> <li>2.Automatic shut off in the event of hot or cold water supply failure.</li> <li>3.Shower head : Chrome , 200mm, ABS</li> <li>4.Shower handset : Chrome, ABS</li> <li>5.Shower hose : 1.5m stainless steel</li> <li>6.Telescopic adjustable height stainless steel shower rail.</li> </ol>



### Flow Rates (Litres per minute)

System Pressure	0.1 Bar	0.2 Bar	0.3 Bar	0.5 Bar	1.0 Bar	1.5 Bar	2.0 Bar	3.0 Bar	4.0 Bar	5.0 Bar
SH/615/C	4.0	5.7	7.0	9.1	12.9	-	18.4	22.5	25.9	28.8

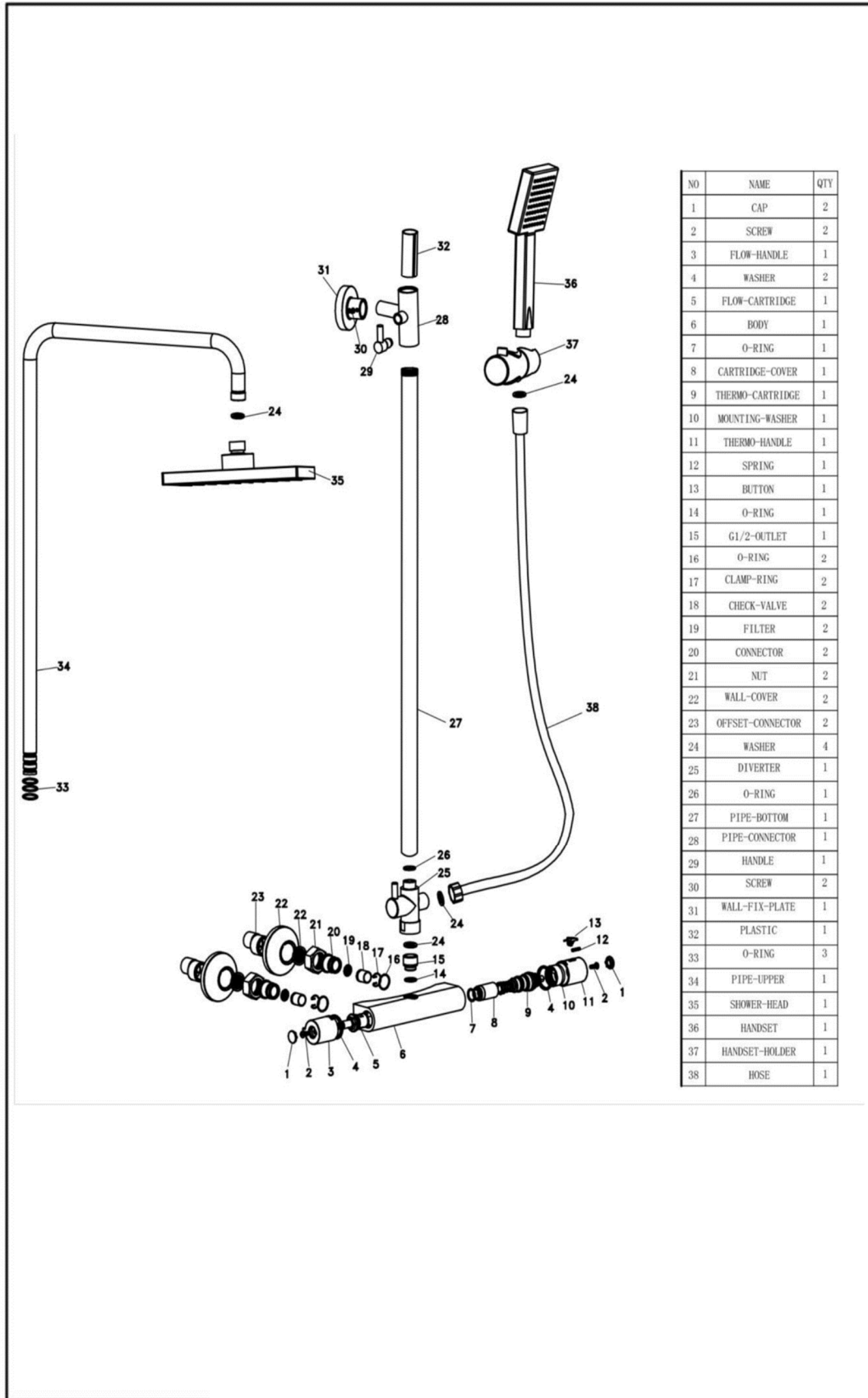
The information contained on this page was correct at the date of issue. Fitting dimensions are provided as a guide only. Some variation may occur due to manufacturing tolerances. We pursue a policy of continuing improvement in design and performance of our products and so reserve the right to change specifications without prior notice

FOR FURTHER ADVICE PLEASE CONTACT :-

SAGITTARIUS LTD UNIT 1 LOWER VICTORIA STREET—CHADDERTON—OLDHAM—OL9 9TU TEL:0616 6202029

EMAIL:TECHNICAL@SAGITTARIUSTAPS.CO.UK

## SH/615/C EXPLODED



The information contained on this page was correct at the date of issue. Fitting dimensions are provided as a guide only. Some variation may occur due to manufacturing tolerances. We pursue a policy of continuing improvement in design and performance of our products and so reserve the right to change specifications without prior notice

FOR FURTHER ADVICE PLEASE CONTACT :-

SAGITTARIUS LTD UNIT 1 LOWER VICTORIA STREET—CHADDERTON—OLDHAM—OL9 9TU TEL:0616 620209

EMAIL:TECHNICAL@SAGITTARIUSTAPS.CO.UK